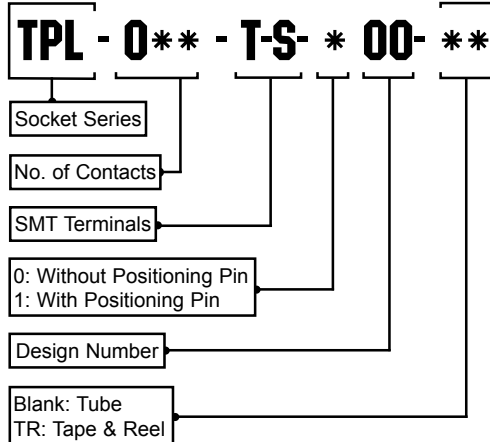
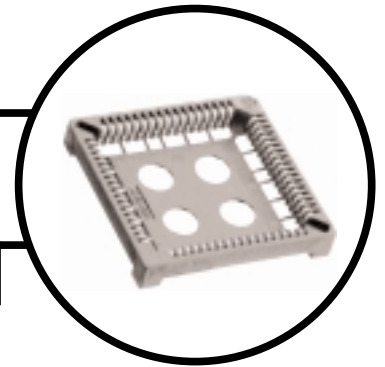


PLCC Low Profile SMT

TPL Series

Ordering Information



Characteristics

Current Rating:	1A
Insulation Resistance:	10,000MΩ Minimum at 500 VDC
Withstanding Voltage:	1000 VAC for 1 minute
Contact Resistance:	15mΩ Max. at 10mA/20mV
Operating Temperature:	-55°C ~ +105°C
Mating Cycles:	50 Insertions

Materials and Finish

Insulator:	High Temp Thermoplastic-UL94V-0
Contact:	Copper Alloy
Plating:	Contacts: SnPb over Ni Terminals: SnPb over Ni
Accessories:	Extraction Tool (see page 41)

Features

- 4.45mm profile (32 pin 4.27mm profile).
- Houses JEDEC standard packages.

Socket Dimensions (Reference Only)

Part Number	Contacts	Pitch	A	B	C	D	E	F	G	H
TPL-020-T-S-*00	20	1.27mm	14.86 (0.585)	14.86 (0.585)	5.08 (0.200)	5.08 (0.200)	12.70 (0.500)	10.03 (0.394)	10.03 (0.394)	4.45
TPL-028-T-S-*00	28	1.27mm	17.40 (0.685)	17.40 (0.685)	7.62 (0.300)	7.62 (0.300)	15.24 (0.600)	12.57 (0.494)	12.57 (0.494)	4.45
TPL-032-T-S-*00	32	1.27mm	19.45 (0.765)	16.90 (0.665)	10.16 (0.400)	7.62 (0.300)	17.78 (0.700)	15.11 (0.594)	12.57 (0.494)	4.27*
TPL-044-T-S-*00	44	1.27mm	22.48 (0.885)	22.48 (0.885)	12.70 (0.500)	12.70 (0.500)	20.32 (0.800)	17.65 (0.694)	17.65 (0.694)	4.45
TPL-052-T-S-*00	52	1.27mm	25.40 (1.000)	25.40 (1.000)	15.24 (0.600)	15.24 (0.600)	22.86 (0.900)	20.19 (0.794)	20.19 (0.794)	4.45
TPL-068-T-S-*00	68	1.27mm	30.54 (1.202)	30.54 (1.202)	20.32 (0.800)	20.32 (0.800)	27.94 (1.100)	25.27 (0.994)	25.27 (0.994)	4.45
TPL-084-T-S-*00	84	1.27mm	35.56 (1.400)	35.56 (1.400)	25.40 (1.000)	25.40 (1.000)	33.02 (1.300)	30.35 (1.194)	30.35 (1.194)	4.45

* Very Low Profile

IC Dimensions (Reference Only)

Contacts	Pitch	A	B	C	D	E	Part Number
20	1.27mm	9.78 - 10.03	8.89 - 9.04	9.78 - 10.03	8.89 - 9.04	4.20 - 4.57	TPL-020-T-S-*00
28	1.27mm	12.32 - 12.57	11.43 - 11.58	12.32 - 12.57	11.43 - 11.58	4.20 - 4.57	TPL-028-T-S-*00
32	1.27mm	14.86 - 15.11	13.90 - 14.04	12.32 - 12.57	11.36 - 11.50	3.18 - 3.55	TPL-032-T-S-*00
44	1.27mm	17.40 - 17.65	16.51 - 16.66	17.40 - 17.65	16.51 - 16.66	4.20 - 4.57	TPL-044-T-S-*00
52	1.27mm	19.94 - 20.19	19.05 - 19.20	19.94 - 20.19	19.05 - 19.20	4.20 - 5.08	TPL-052-T-S-*00
68	1.27mm	25.02 - 25.27	24.13 - 24.33	25.02 - 25.27	24.13 - 24.33	4.20 - 5.08	TPL-068-T-S-*00
84	1.27mm	30.10 - 30.35	29.21 - 29.41	30.10 - 30.35	29.21 - 29.41	4.20 - 5.08	TPL-084-T-S-*00

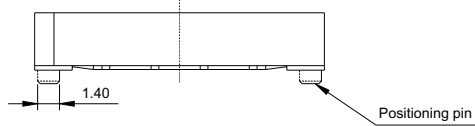
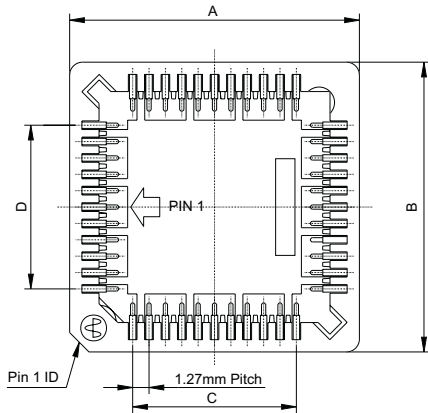
APPLICABLE DIMENSIONS

(Reference Only)

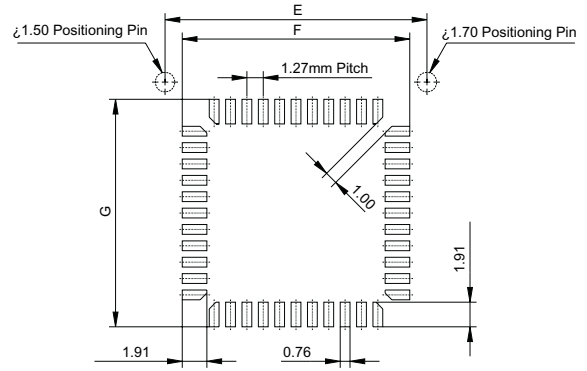
PLCC Low Profile SMT

TPL Series

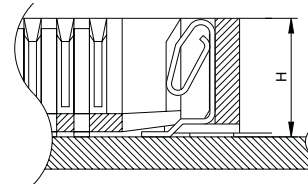
Socket Outline Dimensions



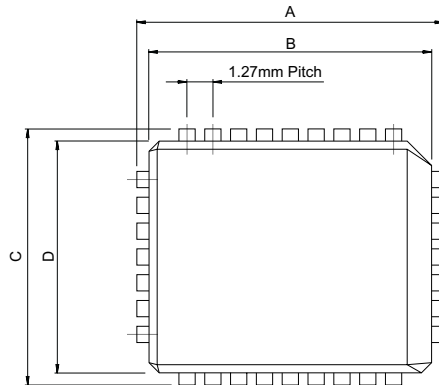
PCB Layout



Contact Detail



IC Outline Dimensions

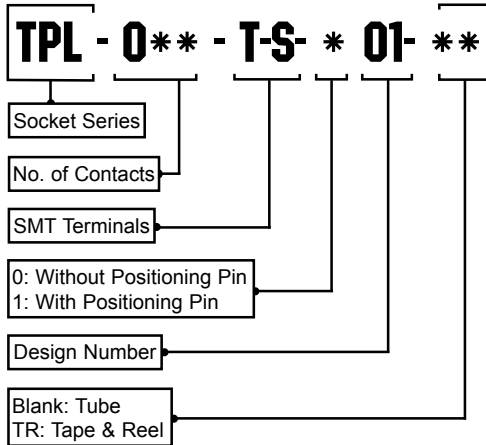
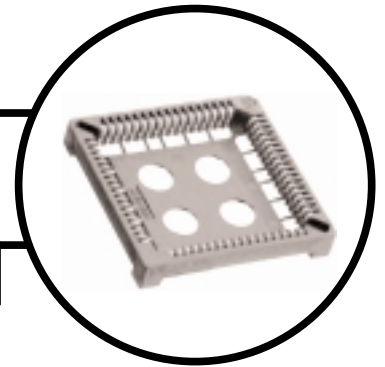


Sockets

PLCC Low Cost SMT

TPL Series

Ordering Information



Characteristics

Current Rating:	1A
Insulation Resistance:	10,000MΩ Minimum at 500 VDC
Withstanding Voltage:	1000 VAC for 1 minute
Contact Resistance:	15mΩ Max. at 10mA/20mV
Operating Temperature:	-55°C ~ +105°C
Mating Cycles:	50 Insertions

Materials and Finish

Insulator:	High Temp Thermoplastic-UL94V-0
Contact:	Copper Alloy
Plating:	Contacts: SnPb over Ni Terminals: SnPb over Ni
Accessories:	Extraction Tool (see page 41)

Features

- Standoffs prevent shorting and allow easier cleaning.
- Houses JEDEC standard packages.

Socket Dimensions (Reference Only)

Part Number	Contacts	Pitch	A	B	C	D	E	F	G	H
TPL-020-T-S* 01	20	1.27mm	15.66	15.66	5.08	5.08	12.70	10.03	10.03	4.64
TPL-028-T-S* 01	28	1.27mm	18.20	18.20	7.62	7.62	15.24	12.57	12.57	4.64
TPL-032-T-S* 01	32	1.27mm	18.20	20.74	7.62	10.16	17.78	12.57	15.11	4.64
TPL-044-T-S* 01	44	1.27mm	23.28	23.28	12.70	12.70	20.32	17.65	17.65	4.64
TPL-052-T-S* 01	52	1.27mm	25.82	25.82	15.24	15.24	22.86	20.19	20.19	4.64
TPL-068-T-S* 01	68	1.27mm	30.90	30.90	30.32	30.32	27.94	25.27	25.27	4.64
TPL-084-T-S* 01	84	1.27mm	35.98	35.98	25.40	25.40	33.02	30.35	30.35	4.64

IC Dimensions (Reference Only)

Contacts	Pitch	A	B	C	D	E	Part Number
20	1.27mm	9.78 ~ 10.03	8.89 ~ 9.05	9.78 ~ 10.03	8.89 ~ 9.04	4.20 ~ 4.57	TPL-020-T-S* 01
28	1.27mm	12.32 ~ 12.57	11.43 ~ 11.58	12.32 ~ 12.57	11.43 ~ 11.58	4.20 ~ 4.57	TPL-028-T-S* 01
32	1.27mm	14.86 ~ 15.11	13.90 ~ 14.04	12.32 ~ 12.57	11.36 ~ 11.50	3.18 ~ 3.55	TPL-032-T-S* 01
44	1.27mm	17.40 ~ 17.65	16.51 ~ 16.66	17.40 ~ 17.65	16.51 ~ 16.66	4.20 ~ 4.57	TPL-044-T-S* 01
52	1.27mm	19.94 ~ 20.19	19.05 ~ 19.20	19.94 ~ 20.19	19.05 ~ 19.20	4.20 ~ 5.08	TPL-052-T-S* 01
68	1.27mm	25.02 ~ 25.27	24.13 ~ 24.33	25.02 ~ 25.27	24.13 ~ 24.33	4.20 ~ 5.08	TPL-068-T-S* 01
84	1.27mm	30.10 ~ 30.35	29.21 ~ 29.41	30.10 ~ 30.35	29.21 ~ 29.41	4.20 ~ 5.08	TPL-084-T-S* 01

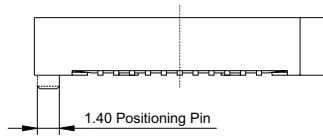
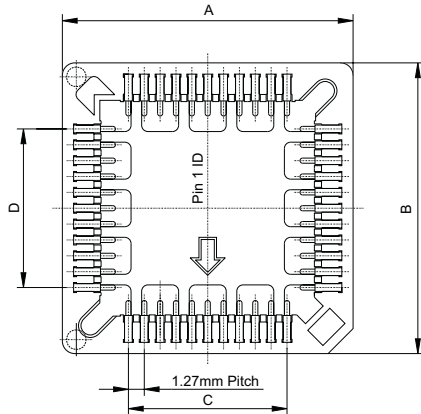
APPLICABLE DIMENSIONS

(Reference Only)

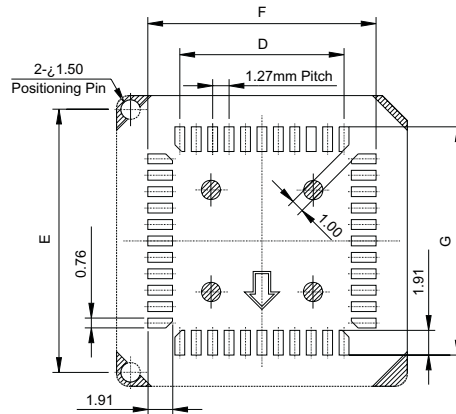
PLCC Low Cost SMT

TPL Series

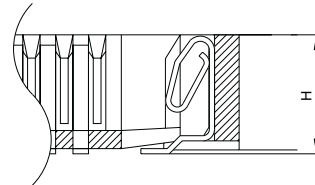
Socket Outline Dimensions



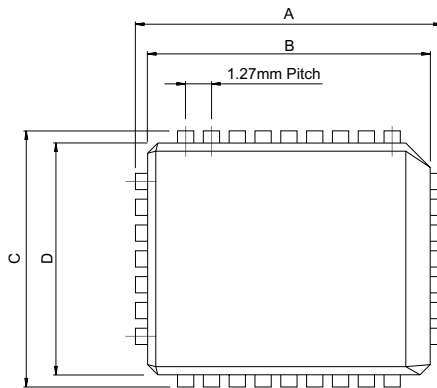
PCB Layout



Contact Detail



IC Outline Dimensions

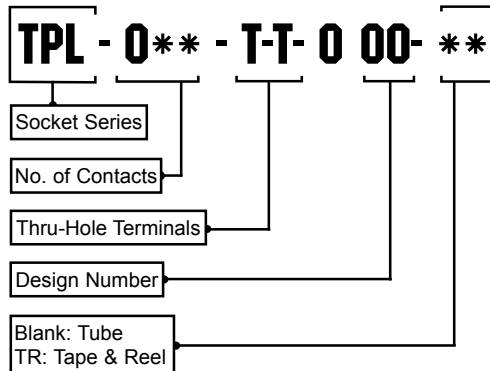
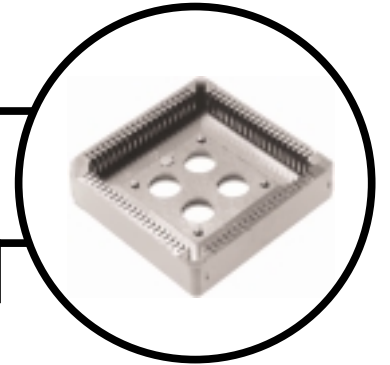


Sockets

PLCC Through-Hole

TPL Series

Ordering Information



Characteristics

Current Rating:	1A
Insulation Resistance:	10,000MΩ Minimum at 500 VDC
Withstanding Voltage:	1000 VAC for 1 minute
Contact Resistance:	15mΩ Max. at 10mA/20mV
Operating Temperature:	-55°C ~ +105°C
Mating Cycles:	10 Insertions

Materials and Finish

Insulator:	High Temp Thermoplastic-UL94V-0
Contact:	Copper Alloy
Plating:	Contacts: SnPb over Ni Terminals: SnPb over Ni
Accessories:	Extraction Tool (see page 41)

Features

1. Standoffs prevent shorting and allow easier cleaning.
2. Converts 1.27mm IC pitch to 2.54mm board pitch.
3. Houses JEDEC standard packages.

Socket Dimensions (Reference Only)

Part Number	Contacts	Pitch	A	B	C	D	E	F
TPL-020-T-T-000	20	1.27mm	15.56 (0.613)	15.56 (0.613)	5.08 (0.200)	5.08 (0.200)	8.00 (0.315)	3.30 (0.130)
TPL-028-T-T-000	28	1.27mm	18.10 (0.713)	18.10 (0.713)	7.62 (0.300)	7.62 (0.300)	8.00 (0.315)	3.30 (0.130)
TPL-032-T-T-000	32	1.27mm	18.10 (0.713)	20.64 (0.813)	7.62 (0.300)	10.16 (0.400)	8.00 (0.315)	3.30 (0.130)
TPL-044-T-T-000	44	1.27mm	23.58 (0.928)	23.58 (0.928)	12.70 (0.500)	12.70 (0.500)	8.00 (0.315)	3.30 (0.130)
TPL-052-T-T-000	52	1.27mm	25.72 (1.013)	25.72 (1.013)	15.24 (0.600)	15.24 (0.600)	8.00 (0.315)	3.30 (0.130)
TPL-068-T-T-000	68	1.27mm	31.10 (1.244)	31.10 (1.244)	20.32 (0.800)	20.32 (0.800)	8.00 (0.315)	3.30 (0.130)
TPL-084-T-T-000	84	1.27mm	36.00 (1.417)	36.00 (1.417)	25.40 (1.000)	25.40 (1.000)	8.00 (0.315)	3.30 (0.130)

IC Dimensions (Reference Only)

Contacts	Pitch	A	B	C	D	E	Part Number
20	1.27mm	9.78 - 10.03	8.89 - 9.04	9.78 - 10.03	8.89 - 9.04	4.20 - 4.57	TPL-020-T-T-000
28	1.27mm	12.32 - 12.57	11.43 - 11.58	12.32 - 12.57	11.43 - 11.58	4.20 - 4.57	TPL-028-T-T-000
32	1.27mm	14.86 - 15.11	13.90 - 14.04	12.32 - 12.57	11.36 - 11.50	3.18 - 3.55	TPL-032-T-T-000
44	1.27mm	17.40 - 17.65	16.51 - 16.66	17.40 - 17.65	16.51 - 16.66	4.20 - 4.57	TPL-044-T-T-000
52	1.27mm	19.94 - 20.19	19.05 - 19.20	19.94 - 20.19	19.05 - 19.20	4.20 - 5.08	TPL-052-T-T-000
68	1.27mm	25.02 - 25.27	24.13 - 24.33	25.02 - 25.27	24.13 - 24.33	4.20 - 5.08	TPL-068-T-T-000
84	1.27mm	30.10 - 30.35	29.21 - 29.41	30.10 - 30.35	29.21 - 29.41	4.20 - 5.08	TPL-084-T-T-000

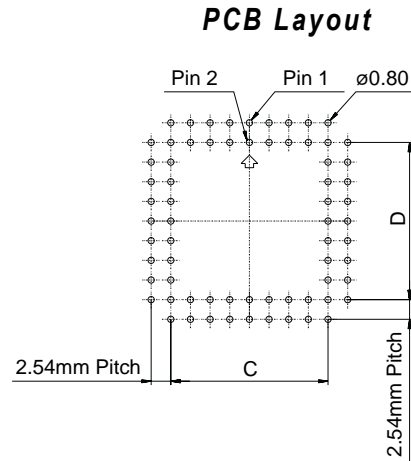
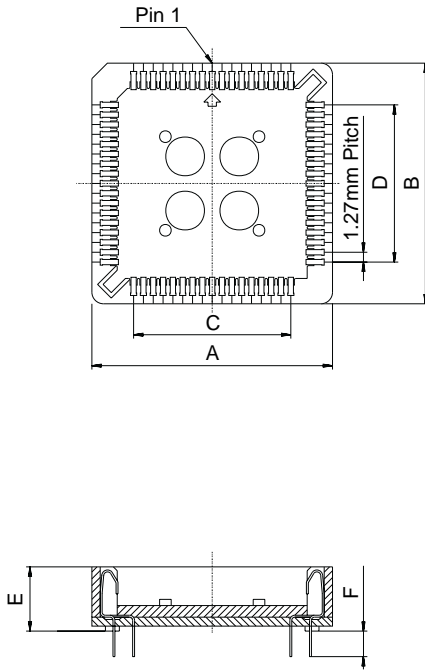
APPLICABLE DIMENSIONS

(Reference Only)

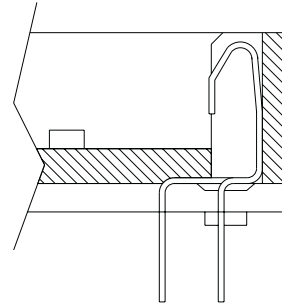
PLCC Through-Hole

TPL Series

Socket Outline Dimensions



Contact Detail



IC Outline Dimensions

